

Frequently Asked Questions

How do I move a pitch up and down in the strike zone?
Turning the screw on the MICRO ADJUSTMENT will raise and lower the pitch.



How do I raise or lower a pitch that is out of the strike zone?
Reposition the micro adjustment and/or the release block.
(Start with settings listed on the Speed Chart)



How do I throw a fly ball?
Start with settings shown on the right and adjust as desired.



How do I throw a ground ball?
Start with settings shown on the right and adjust as desired.



How do I extend the life of my SPRING?
Never store your machine with the THROWING ARM pulled back and locked into position.
We recommend that you replace your SPRING at the beginning of each season to ensure consistent throwing.



Where can I buy replacement SPRINGS?
You can find replacement SPRINGS at many fine sporting goods outlets, or you may order SPRINGS and other parts online at: www.gamemasterathletic.com/shop.htm

Where can I find other Louisville Slugger® licensed brand training equipment or accessories?
Look for other items at fine sporting goods outlets or for a list of local retailers email us at info@gamemasterathletic.com



Manufactured by: **GAME MASTER** www.gamemasterathletic.com

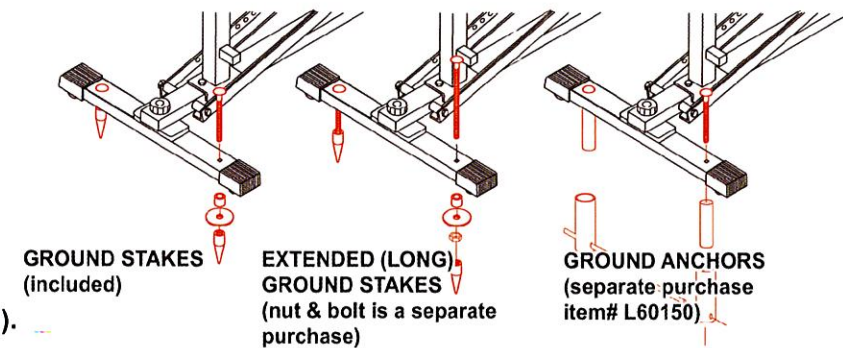


Models: L60111 & L60222

SETUP

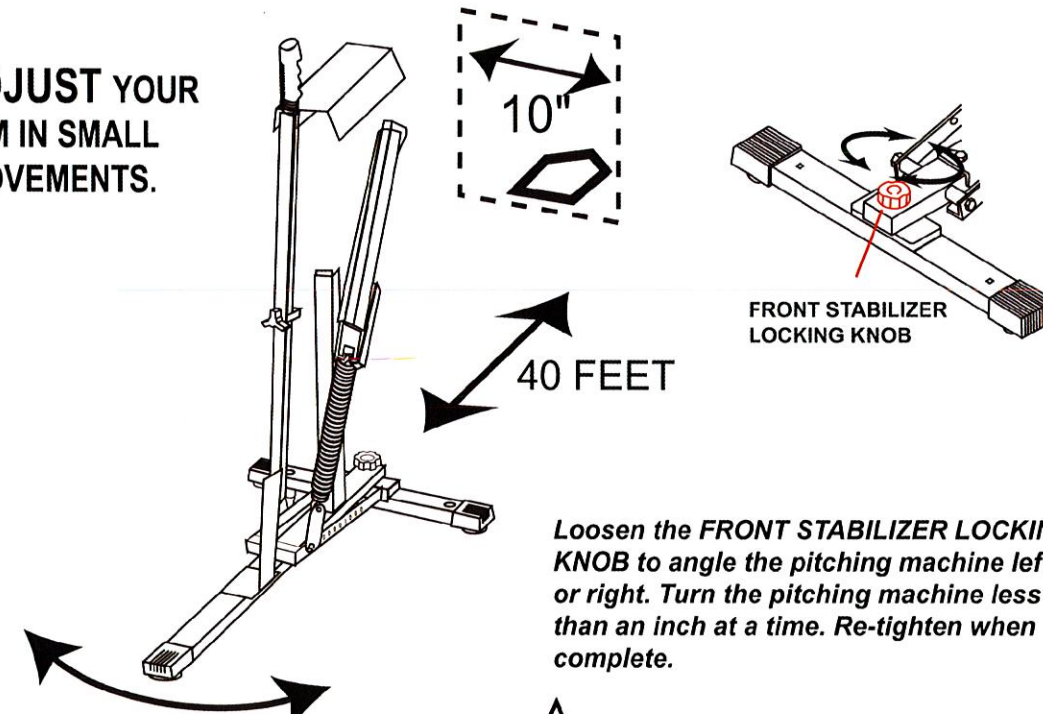
AIM YOUR PITCHING MACHINE AND ANCHOR SECURELY.

GROUND STAKES are included to secure the pitching machine on most surfaces. However if using on loose soil or the machine is jumping you may need to obtain longer bolts and add a nut to make an EXTENDED STAKE (shown).



Removable GROUND ANCHORS can be purchased for secure permanent locations.

ADJUST YOUR AIM IN SMALL MOVEMENTS.



1/2" MOVEMENT LEFT OR RIGHT

Loosen the FRONT STABILIZER LOCKING KNOB to angle the pitching machine left or right. Turn the pitching machine less than an inch at a time. Re-tighten when complete.

⚠️ REMEMBER that turning the pitching machine 1/2" will move the pitch 10" at a distance of 40 feet.

⚠️ **WARNING:** Never operate the machine if parts are missing or broken. For adult operation only.



ULTIMATE PITCHING MACHINE
USER'S GUIDE

